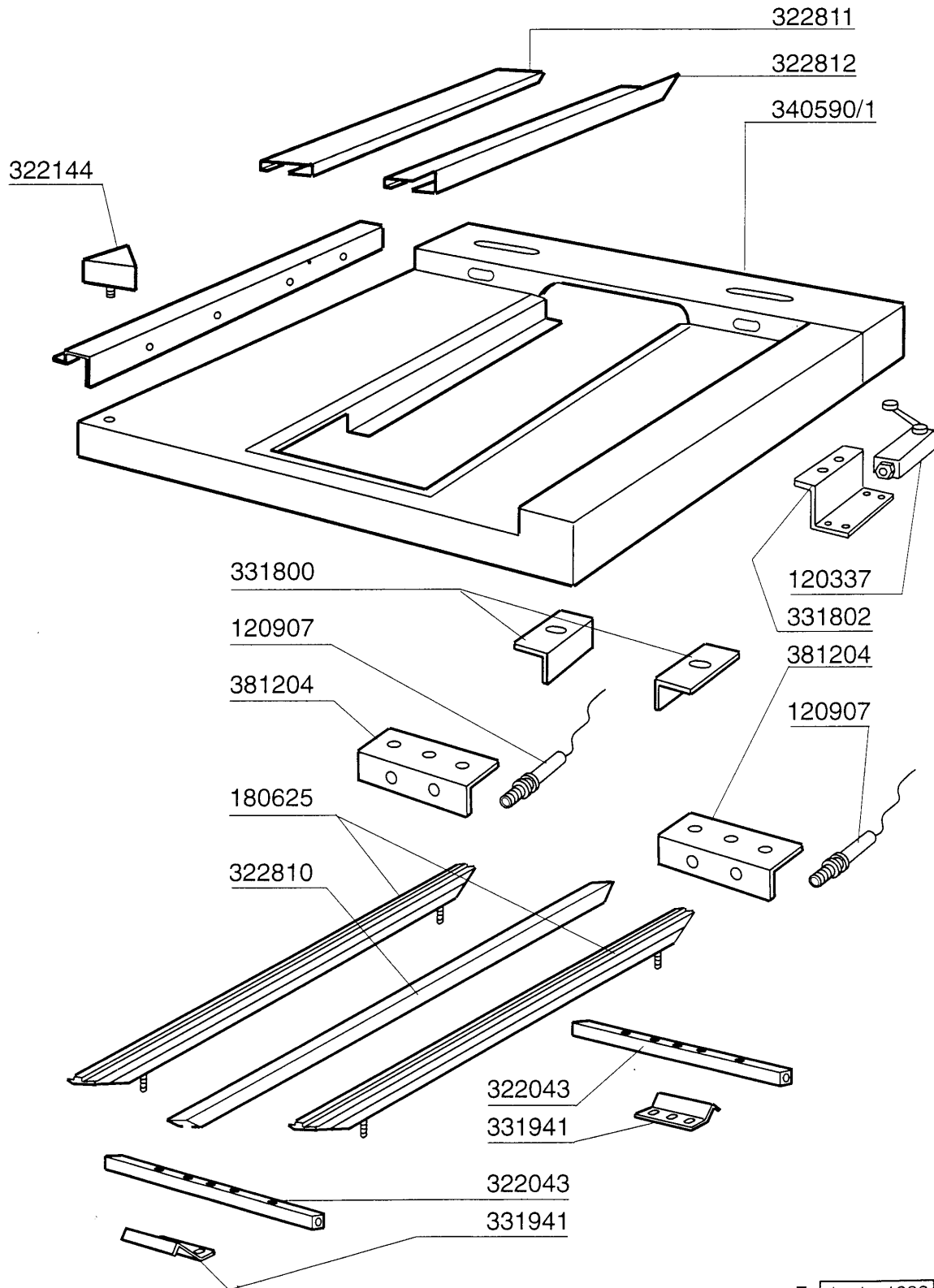


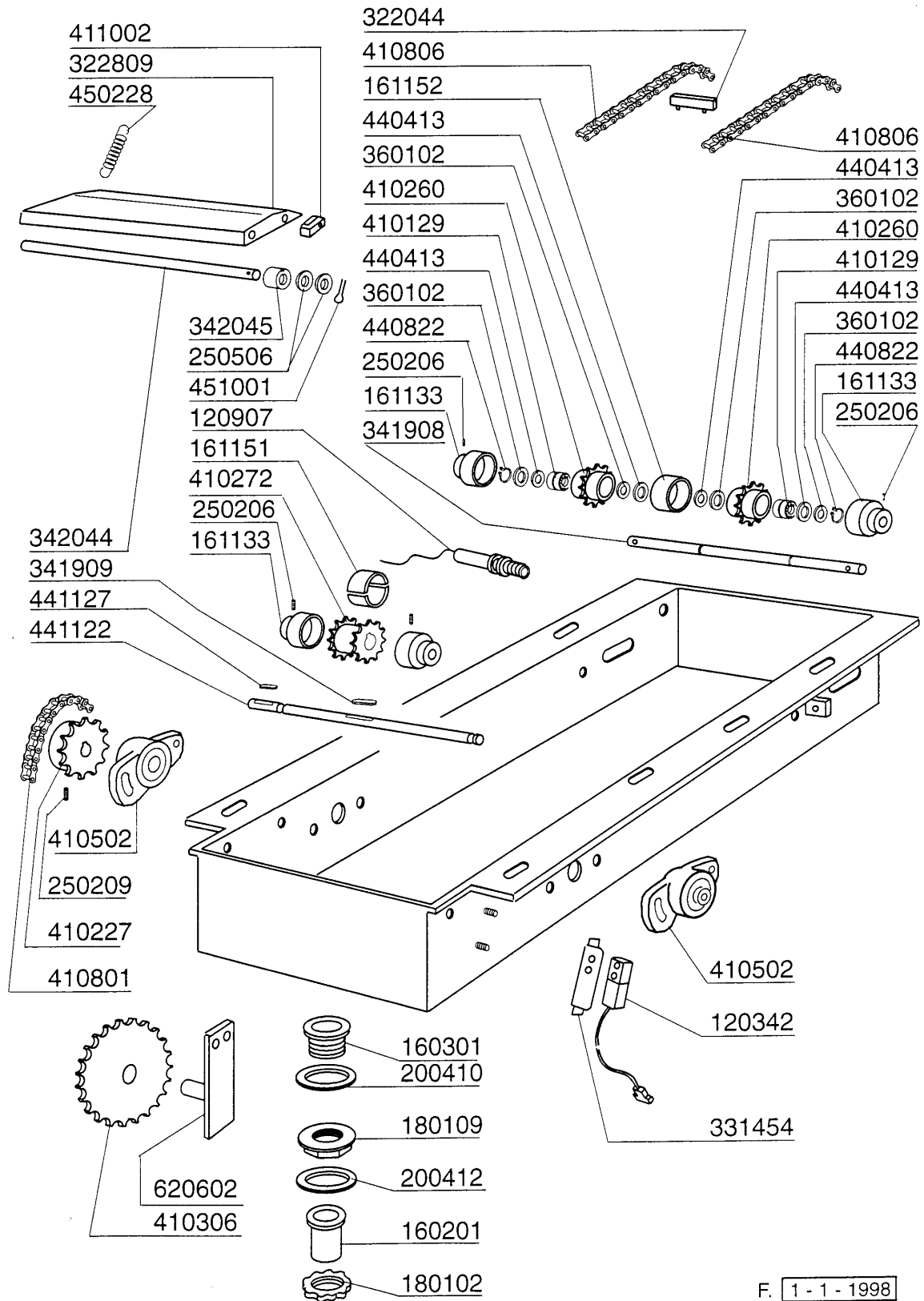
2 - 90° Rack unload table



F. 1 - 1 - 1998

2 - 90° Rack unload table

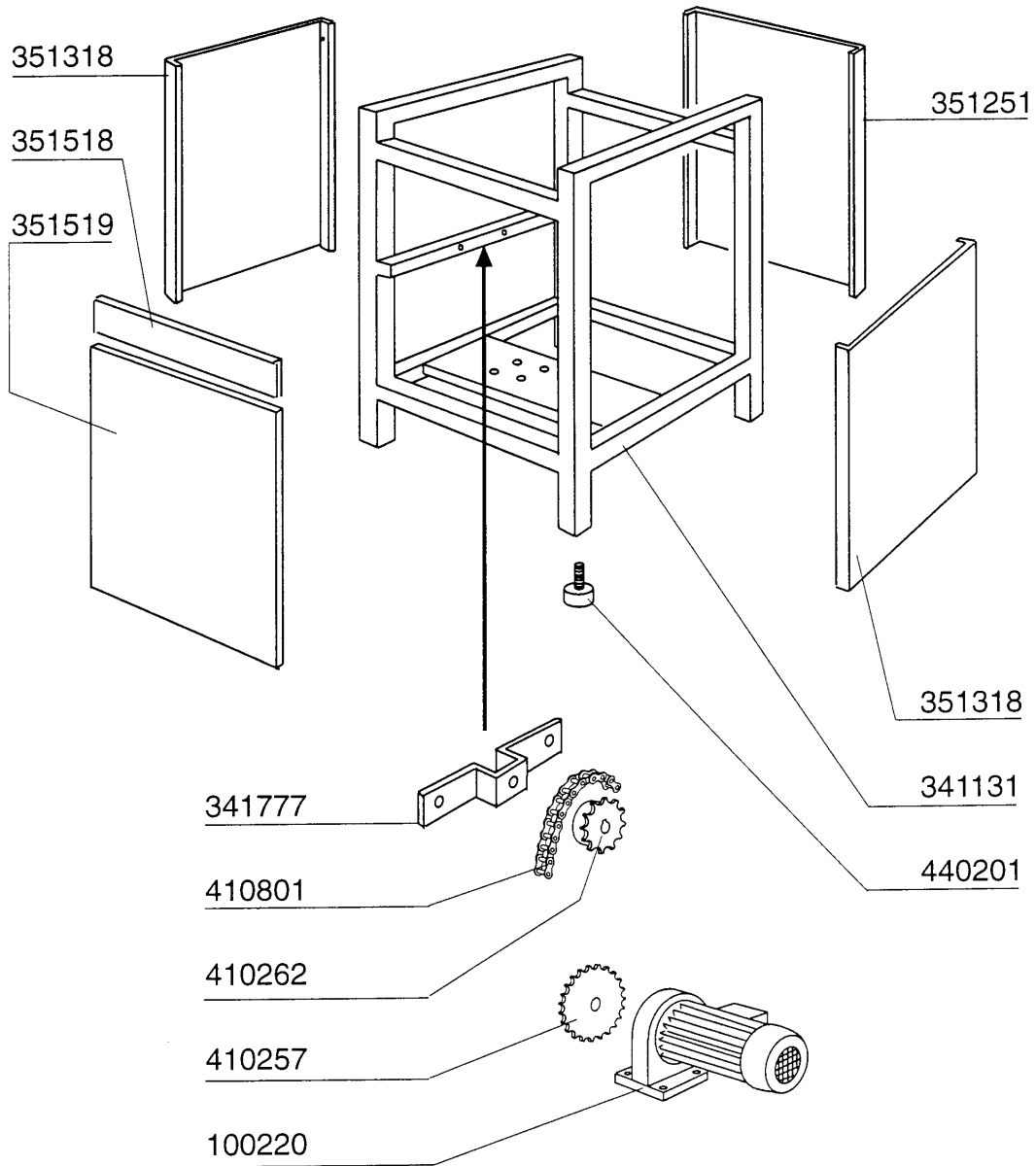
CODE	DESCRIPTION
120337	LIMIT SWITCH (LEVER) FD155+P93
120907	PHOTOCELL F.TRAY WASHER E3FDS-
180625	PROFILE
322043	SUPPORT
322144	CORNER PANEL
322810	COVER
322811	COVER
322812	COVER
331800	DRAIN PROTECTION BRACKET
331802	MICRO SWITCH BRACKET AC
331941	COVER
340590	RACK DISCHARGE TABLE 90° R-L
381204	PHOTOCELL SUPPORT



3 - 90° Rack unload table

CODE	DESCRIPTION
120342	DOR MAGNETIC SWITCH
120907	PHOTOCELL F.TRAY WASHER E3FDS-
160201	ELBOW F.TANK INLET MOPLN
160301	DRAIN OUTLET 1"1/2 C-S-N
161133	PROTECTION FOR WHEEL
161151	PROTECTION FOR WHEEL
161152	PROTECTION FOR WHEEL
180102	DRAIN PIPE NUT 1"1/2 F45-55
180109	LOCK NUT 1 1/2"
200410	DRAIN OUTL.WASH.1 1/2"65X47X2
200412	GASKET DRAIN 11/2" 45X33X3
250206	GRUB SCREW D.6
250209	NUT M8X10
250506	ELBOW 2"
322044	SUPPORT
322809	COVER
331454	MICRO SWITCH BRACKET
341908	PIN FOR PINION
341909	PIN FOR PINION
342044	PIN
342045	SPACER
360102	WASHER
410129	BEARINGS
410227	TURNED PINION Z16-1/2"-D.20
410260	PINION Z14 1/2"
410272	DOUBLE PINION Z14 P=1/2" D.20
410306	GROUP CROWN-SPROCKET Z14/40
410502	SUPPORT UCFA 204 D.20
410801	DRIVE CHAIN 1/2" N-S
410806	CHAIN X 90Ø UNLOAD TABLE
411002	PERMANENT MAGNET 24X12
440413	SEAL 20X32X7
440822	SEEGER
441122	DRIVE SHAFT KEY 6X6X25 UNI 660
441127	DRIVE SHAFT KEY 6X6 L=50
450228	SPRING
451001	S/STEEL COTTER PIN D.2X24
620602	SUPPORT

4 - 90° Rack unload table



F. 1 - 1 - 1998

4 - 90° Rack unload table

CODE	DESCRIPTION
100220	DRIVE MOTOR KW0,12-220/380V/50
341131	FRAME
341777	SUPPORT + PIN
351251	PANEL
351318	PANEL
351518	PANEL
351519	PANEL
410257	PINION Z28 P=1/2"
410262	PINION Z13
410801	DRIVE CHAIN 1/2" N-S
440201	RUBBER FOOT D.60X10